

# TUNGSTEN SMART-HEAT™ PORTABLE

It's neutral black finish, and award-winning design makes it a piece of modern art. The Tungsten Smart-Heat™ Portable heater offers efficient directional heat and a versatile heating solution for the outdoor settings. It's modular construction with built-in wheels allows for easily manoeuvrability throughout tighter spaces.

**ANGLED BRACKET**  
Provides flexibility of heat direction

**ADJUSTABLE HEAT CONTROLS**  
Offers ease of operation and precise heat comfort levels

**MODULAR CONSTRUCTION**

**UNIQUE DESIGN**  
Honeycomb fascia facilitates precise heat distribution

**SAFETY FEATURE**  
Anti tilt shut off

**CONTOURED DESIGN**  
Allows for superior wind resistance

**PORTABLE**  
For ease of movement

# SPECIFICATIONS

Reference the specification guide below to help you select the correct solution for your needs.

## MODEL NUMBER

|                           |          |
|---------------------------|----------|
| FUEL TYPE                 | LPG   NG |
| COLOR                     | BLACK    |
| HEAT AREA                 | 215FT    |
| ELECTRICAL CONNECTION     | -        |
| MINIMUM CEILING CLEARANCE | 36"      |

## MOUNTING OPTIONS

|                        |   |
|------------------------|---|
| CEILING MOUNT          | - |
| WALL MOUNT             | - |
| RECESSED   FLUSH MOUNT | - |
| CEILING POLE MOUNT     | - |
| FREESTANDING           | ✓ |

## CONTROL OPTIONS

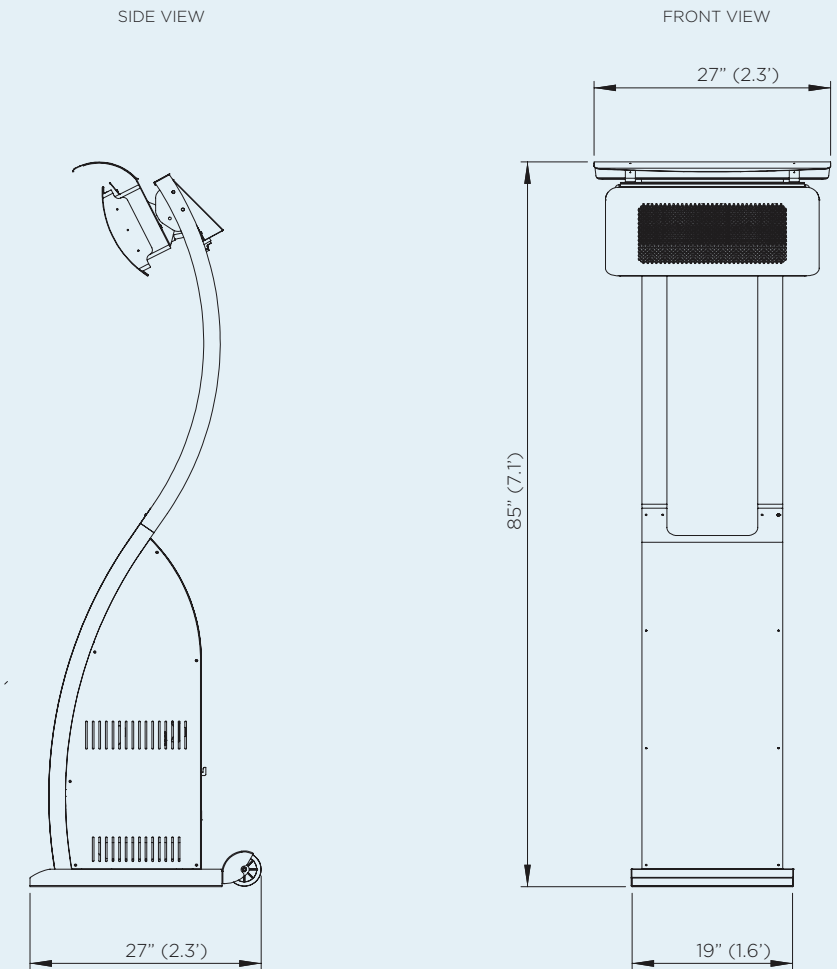
|               |   |
|---------------|---|
| ON   OFF      | - |
| DIMMER        | - |
| MASTER REMOTE | - |

Measurements displayed within this document are minimum requirements for installation. Bromic takes no responsibility for incorrect or non-compliant installations. All measurement in this document are displayed in inches.

# DIMENSIONS

With a wide range of sizes available, find the ideal heater to suit your outdoor space.

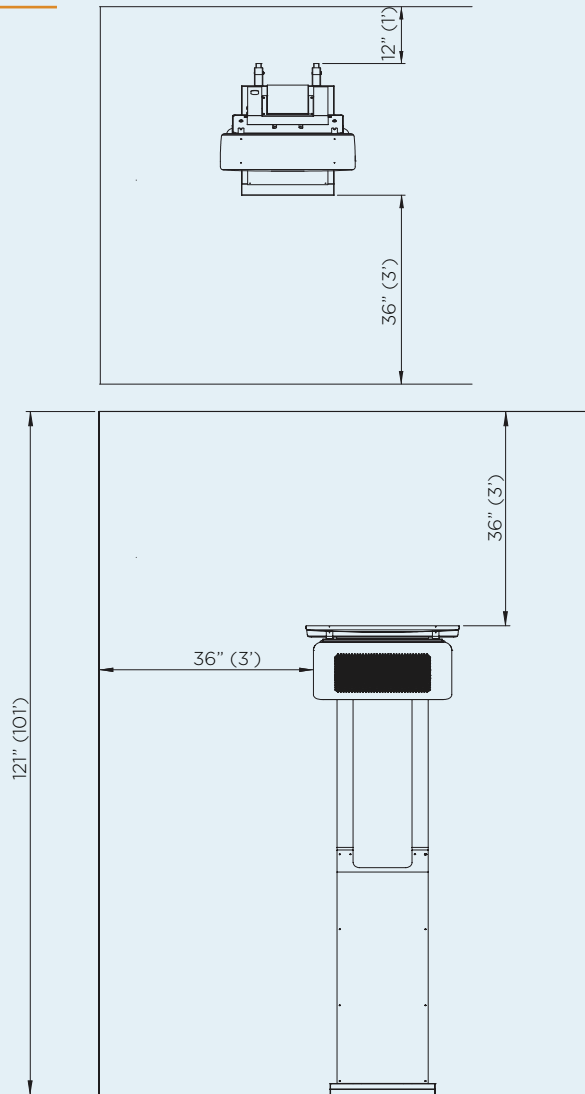
## PROFILE



# CLEARANCE

With a wide array of mounting options, Bromic offers solutions to compliment any décor and provide functionality for ambiance and comfort.

## CEILING & WALL CLEARANCE

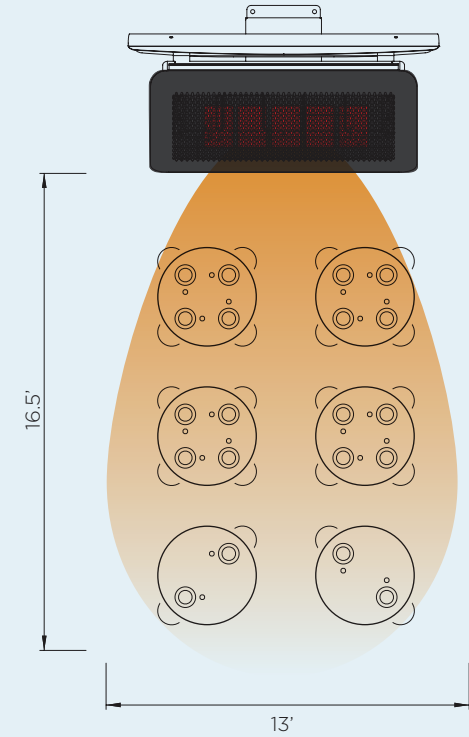



# HEATING REACH

Creating ideal comfort levels, Bromic heaters offer a variety of heat distribution options to suit your outdoor heating needs.

## HEAT AREAS

**TUNGSTEN PORTABLE**  
HEATING APPROXIMATELY 215FT<sup>2</sup>  
38,500 BTU HEATING POWER





EXTEND THE BOUNDARIES OF  
INSIDE SPACE, BY INCLUDING  
THE OUTDOORS. CONTROL THE  
CLIMATE IN YOUR NEXT PROJECT  
WITH BROMIC SMART-HEAT™.

---

[BROMIC.COM/HEAT](https://www.bromic.com/heat)

ASIA PACIFIC | NORTH AMERICA | EUROPE

Bromic pursues a policy of continuing improvement in design and performance of its products. The right is therefore reserved to vary specifications without notice.